



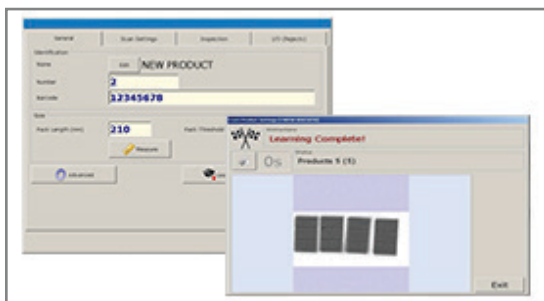
X5C - Compact X-ray Inspection System

Designed for Food & Packaging Industries

X-Ray
Detection

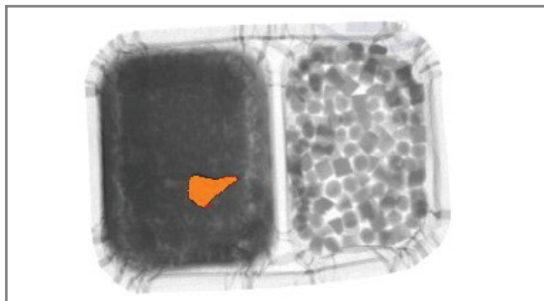
Product Highlights

- For inspecting retail-packed convenience food, ready meals, and small end-of-line packaged goods up to 280 mm wide by 110 mm high
- Good detection of all metals, bone, glass and dense plastics, even in foil trays or metalized film
- Robust stainless steel construction with 1000 mm machine length
- Colour touchscreen control interface including multi-level password access and data logged events for traceability (designed to help comply with 21CFR Part 11 requirements)
- Good set of inspection features for contaminant detection, product integrity checks and quality assurance reporting
- IP66 ingress rating and tool-free belt removal for low-pressure wash-down



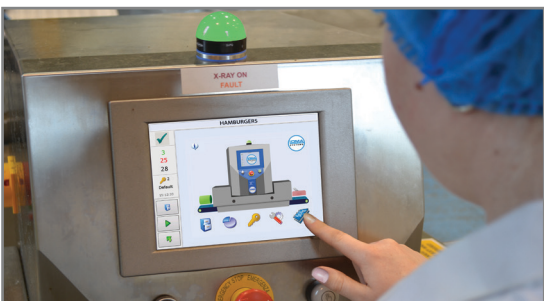
Get Inspecting Fast with Loma's Product Learn Wizard

A set-up wizard automatically optimises the X5C for each product type and allows you to learn or switch to new products within minutes.



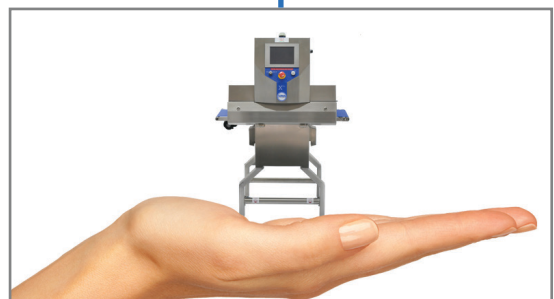
Reliable Metal and Contaminant Detection in Foil Trays

With a rectangular inspection window, the system detects all metal types, bone, glass or dense plastics, even inspecting products packaged in foil trays or metalized film.



Designed with New Users of X-Ray in Mind

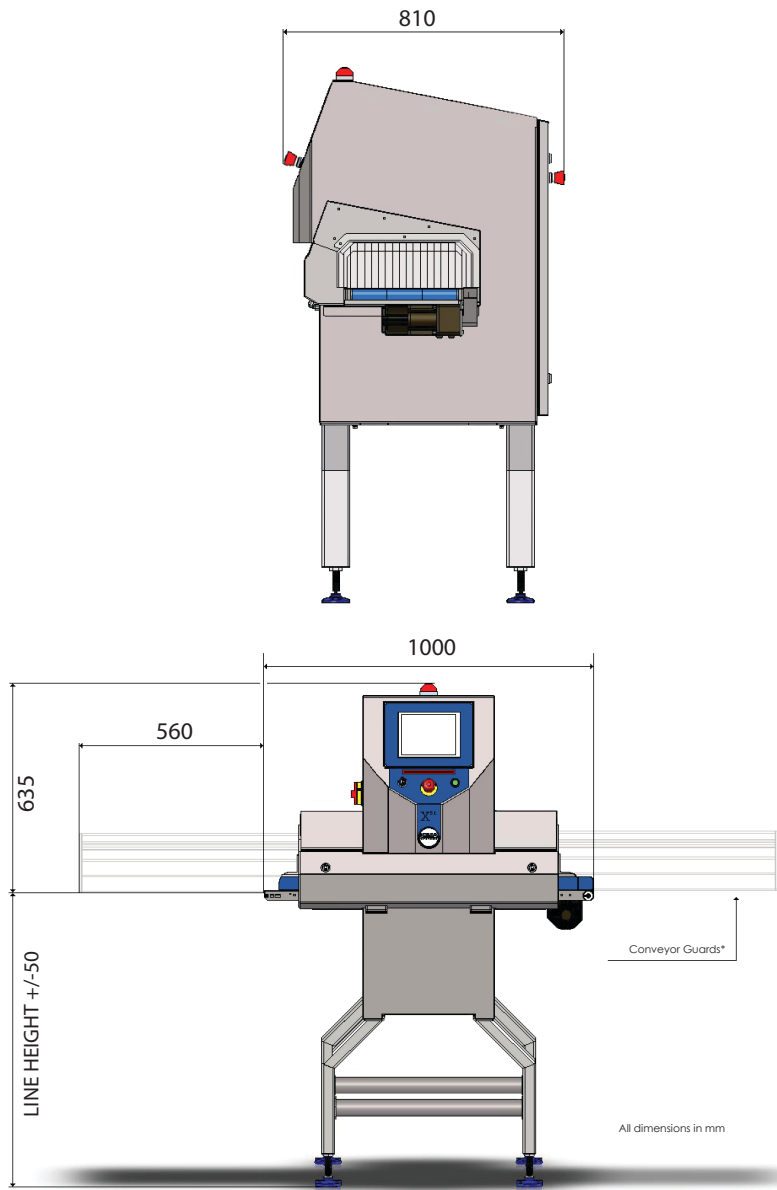
A simplified yet powerful inspection feature set, plug and play installation, reliable inspection and low cost of ownership make the X5C an ideal choice for those switching to X-Ray for the first time.



Compact System Optimises Valuable Space

The X5C is built with Loma's strong experience of food industry inspection systems and offers first-class CCP protection in the smallest footprint possible.

Technical Specification



Finish	304 stainless steel
System Length	1000 mm (machine only) 1800 mm (with optional auto-reject)
Line Height Option	750 - 1000 mm (± 50 adjustment)
Product Height (recommended maximum)	110 mm
Product Width (recommended maximum)	280 mm
Product Length (recommended maximum)	280 mm
X-Ray Output	80W (40 kV 2 mA)
IP Rating	IP66
Belt Width	300 mm
Belt Type	PU Anti-Static
Weight on Belt	Up to 6 kg**
Speed Range	10 - 50 m/min
Power Requirements	220-230 V, 50Hz or 110-120 V, 60Hz, Single Phase Mains
Operating Environment	2 to 10 °C with cabinet warm up, 10 to 35 °C with Vortex
Cooling	Vortex
X-Ray Safety	Leakage less than 1 μ Sv/h
Machine Weight	160 kg
Detection Algorithms	2 x contaminant 3 x object checking 2 x image optimisation
Reporting	Event, Batch, Shift
Data Retrieval	via USB

*Although the machine installation requires a line length of 1000 mm, the system is supplied with extended covers to prevent limb access into the x-ray chamber and provide compliance with the Machinery Directive. During installation the extended covers should be fitted or equivalent protection be provided by other inline equipment (e.g. a reject conveyor) or guarding on both the infeed and outfeed. **Maximum recommended weight is around 3 kg; at faster speeds it may be possible to go up to 6 kg.

Automatic Reject Options

The X5C is supplied as standard with two output signals suitable for triggering third-party reject systems. Alternatively, it can be specified with an automatic reject station (with retail compliance) with the following options:

- Pusher
- Air-blast, single nozzle
- Air-blast, dual nozzle

